

Smart Features



GARBAGE TRUCK COMPATIBLE

- Can be lifted by regular garbage thick apparatus



REINFORCED TYRES

- Made of polypropylene rims and solid tyres on an electro-galvanized axle
- Serrations on wheel for anti-skid



STRONG BODY

- Stronger redesigned body-resistant to crack
- Smooth inside walls allow easy cleaning and optimum emptying



SPECIALLY DESIGNED LID

- Allows lifting without spoiling hands
- The unique design prevents entry of rain water



CAN BE USED AS LITTER BINS

- Keeps living and work spaces clean and hygienic (Optional Design)



POLY-BAG HOLDER

- Provision for hooking polythene bag for hygienic dumping and disposal



EASY-TO-HANDLE

- Ergonomic design provides easy grip



NOISE AND IMPACT-FREE

- Less Noise, "Soft Close" Lid



Wet

Dry

Hospital

Syringe, Bandage etc.

Biodegradable Products

IT company

Scrap of computer, Mobile etc.

Hotline: 90046 06797

TIME
TIME TECHNOPLAST LTD.
Bringing Polymers To Life

CIN: L27203DD1989PLC003240

Corporate Office: 2nd Floor, 55, Corporate Avenue, Saki Vihar Road, Andheri (E), Mumbai - 400072, Maharashtra, India. | Tel.: +91-22-7111 9999 / 9500 | Fax: +91-22-2857 5672
Email: dumpobins@timetechnoplast.com | Website: www.timetechnoplast.com

DUMPO[®]
BINS

MCGM
APPROVED

Experience A Healthier
Cleaner Surrounding

TÜVRheinland[®]
EN 840 Certified

A **TIME** PRODUCT

About Time Technoplast Ltd.

Time Technoplast Limited (Time Tech), is a leading polymer product multinational company with operations in Bahrain, Egypt, India, Indonesia, Malaysia, Taiwan, Thailand, UAE & Vietnam. The company caters to growing industry segments like Industrial Packaging, Lifestyle Products, Automotive Components, Healthcare Products, Infrastructure, Material Handling Solutions and Composite Cylinders. Time Tech offers a range of strong, hard-wearing two-wheeled Dumpo Bins with an intelligent innovative design.

Dumpo Bins are a necessity for hygienic life and are made from eco-friendly material. Their superior design ensures easy installation, thereby facilitating quick replacement and maintenance.

High-density polyethylene makes the product highly resistant to atmospheric conditions:

- High resistance to UV Radiation
- Resistance to acid
- Corrosion-free
- Hygienic and easy-to-clean
- All models suitable for use with standard collection and cleaning systems

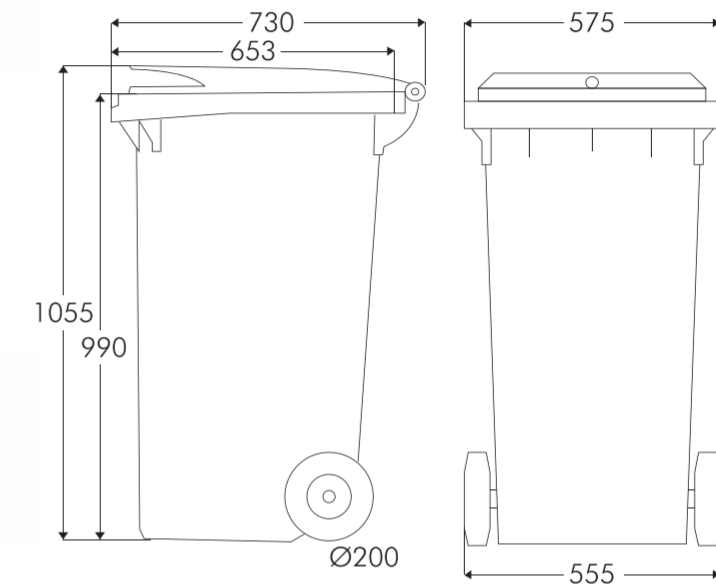
120 DUMPO PEDAL BIN

Capacity: 120 ltr.
Normal Loading: 48 kg
Wheel Diameter: 200 mm



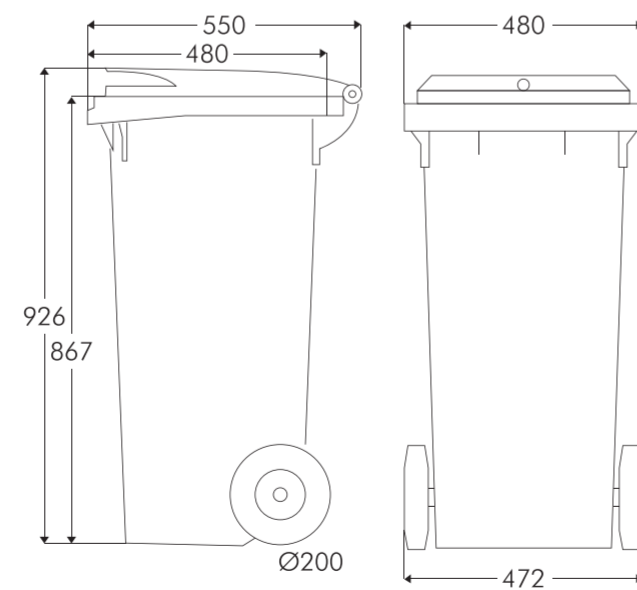
240 DUMPO FLAT LID

Capacity: 240 ltr.
Normal Loading: 96 kg
Wheel Diameter: 200 mm



120 DUMPO FLAT LID

Capacity: 120 ltr.
Normal Loading: 48 kg
Wheel Diameter: 200 mm



240 DUMPO DOME LID

Capacity: 240 ltr.
Normal Loading: 96 kg
Wheel Diameter: 200 mm

